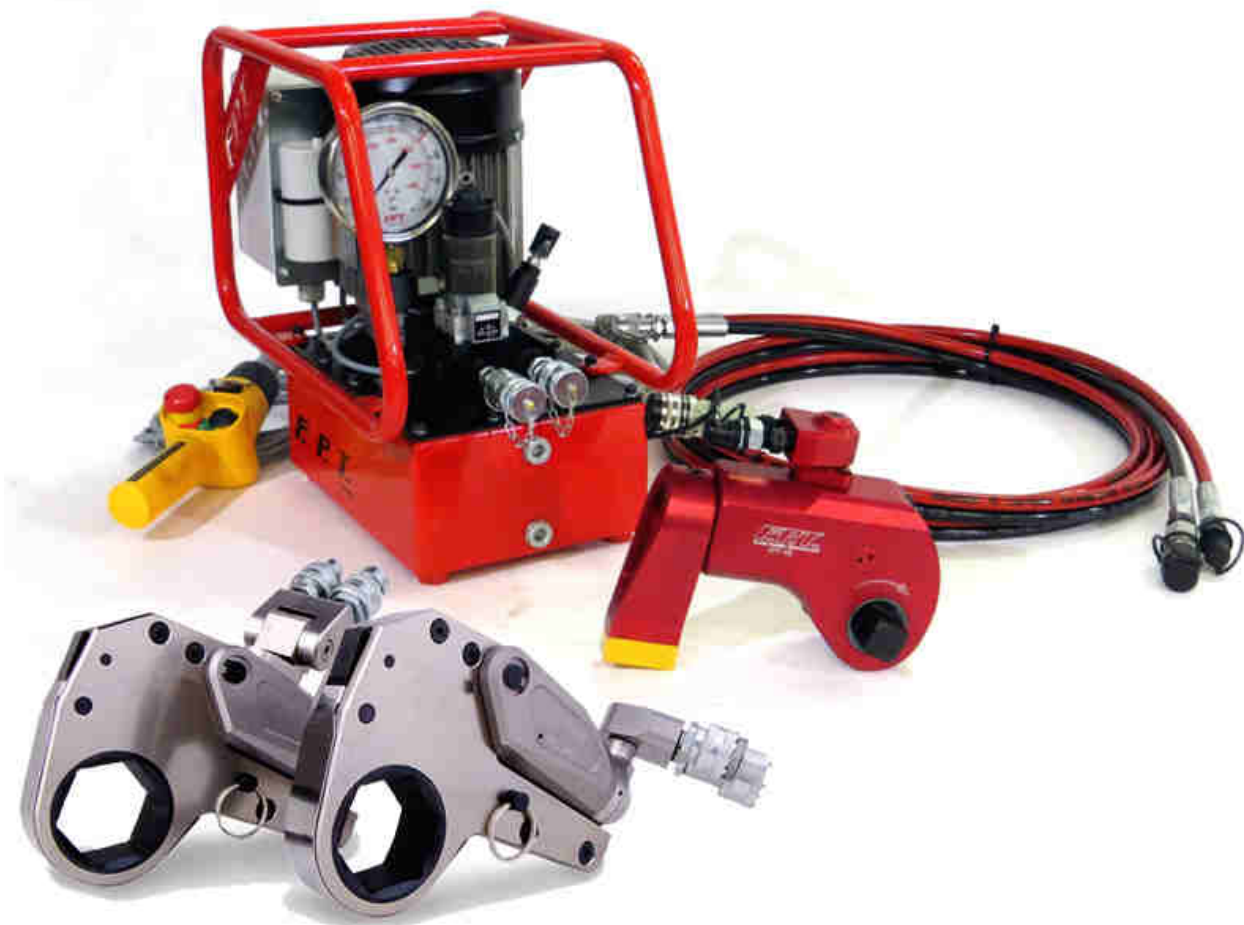


Hydraulic Torque Wrenches

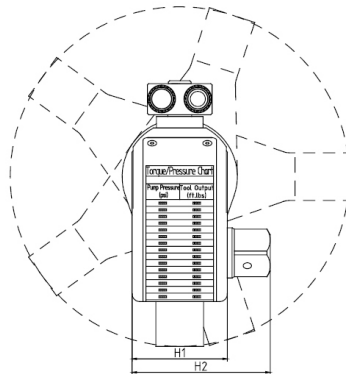
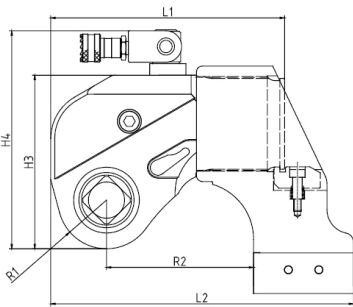


Hydraulic torque wrenches square drive

Low clearance hydraulic torque wrench

High performance pumps, twin hoses, impact sockets, hexagon cassette reducers, square hexagon drive and all equipment for hydraulic torque wrenches.

Hydraulic torque wrenches square drive



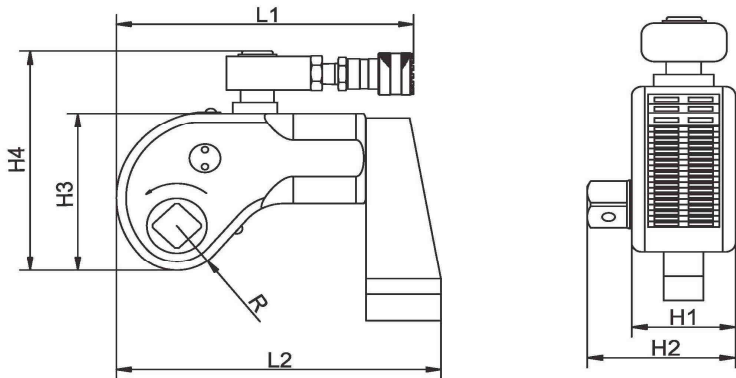
- Working pressure **700 bar max.**
- Designed for tightening and loosening
- 10 different models from 110 Nm up to 72.000 Nm torque power
- Accuracy $\pm 3\%$ across the full stroke
- $360^\circ \times 180^\circ$ multi-positional swivel quick release couplings
- Suitable for continuous operation at maximum pressure
- **High resistance with aluminum-titanium and light body**
- 360° adjustable reaction arm with safety lock feature

Series HTW-BT

MODEL Type	SQUARE DRIVE	TORQUE Nm		WEIGHT Kg	SIZES mm							
		MIN	MAX		L1	L2	H1	H2	H3	H4	R1	R2
07 HTW-BT	3/4"	112	1.120	1,80	110,8	139,3	42	65,8	76,2	108,1	20,5	68,3
1 HTW-BT	3/4"	183	1.837	2,50	144,5	173,5	50	72	96	131	26	85
3 HTW-BT	1"	451	4.512	5,00	178	229	68	95	127	176,5	34	114
5 HTW-BT	1-1/2"	752	7.528	8,00	210,5	270,5	80	123	149	199	39	137
8 HTW-BT	1-1/2"	1.078	10.780	11,00	222	293	90	134	167	217	47	153
10 HTW-BT	1-1/2"	1.551	15.516	15,00	245,5	317,5	100	142	182	232	51	154
20 HTW-BT	2-1/2"	2.666	26.664	26,50	307,5	383,5	120	183	220	270	59	186
25 HTW-BT	2-1/2"	3.472	34.725	35,00	323	401	137	200	247	297	66	199
35 HTW-BT	2-1/2"	4.866	48.666	50,00	372,5	496,5	153	216	282	332	77	241
50 HTW-BT	2-1/2"	7.200	72.000	87,00	400	516	160	223	291	341	81	259

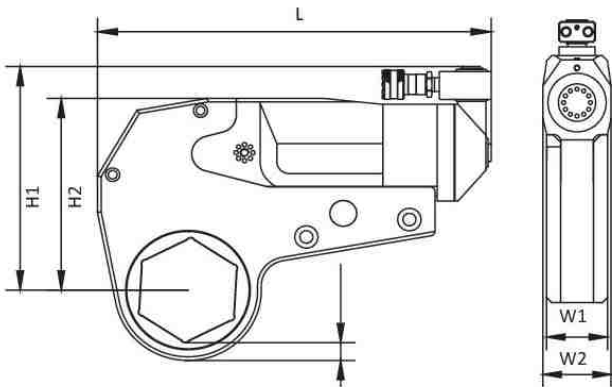
Series HTW-S

MODEL Type	SQUARE DRIVE	TORQUE Nm		WEIGHT Kg	SIZES mm						
		MIN	MAX		L1	L2	H1	H2	H3	H4	R
17 HTW-S	3/4"	172	1.727	1,9	129	167	51	73	90	131	25
45 HTW-S	1"	452	4.529	4,8	167	218	68	98	121	170	34
100 HTW-S	1-1/2"	1.006	10.064	9	223	293	92	135	163	211	46
150 HTW-S	1-1/2"	1.497	14.974	14,8	264	323	100	141	177	225	50
370 HTW-S	2-1/2"	3.699	36.992	32,5	329	432	137	104	240	288	66
100 HTW-S	2-1/2"	1.000	10.000	9	223	293	92	135	163	211	46
150 HTW-S	2-1/2"	1.500	15.000	14,8	246	323	100	141	177	225	50
370 HTW-S	2-1/2"	3.700	37.000	32,5	329	432	137	104	240	288	66



- Available a wide range of accessories such as **twin hoses**, reductions, reaction arms, **sockets**.
- Available a wide range of **electric and air pumps** for the different applications.

Low clearance hydraulic torque wrench



- Repeatability $\pm 3\%$
- **700 bar maximum operation pressure**
- 5 different models from 230 Nm to 45.000 Nm
- Designed for tightening and loosening
- 360° x 180° uni swivel quick release couplings
- Maximum torque power with minimum wall thickness
- Various cassettes, adaptors and reducers are available
- **Durable structure, aluminum-titanium alloy and light body**

Series HTW-LOW

MODEL	TORQUE		HEX SIZE				BODY Kg	CASSETTES Kg	SIZES mm				
	MIN	MAX	METRIC		IMPERIAL				L	H1	H2	W1	W2
2 HTW-LOW	232	2.328	19	55	7/8"	2-3/16"	1	1,6	196,4	125,9	102,3	32	51
	241	2.414	60		2-3/8"		1	1,7	196,4	128,5	105	32	51
4 HTW-LOW	585	5.858	34	65	1-1/4"	2-9/16"	2	4,4	245	177	135,7	42	66
	647	6.474	70	80	2-3/4"	3-1/8"	2	4,6	246	187	145,7	42	66
8 HTW-LOW	1.094	10.941	41	95	1-7/16"	3-11/16"	3	8	300	207	169	53	83
	1.177	11.774	100	105	3-7/8"	4-1/4"	3	8,4	301	216	178	53	83
14 HTW-LOW	1.852	18.521	50	117	2"	4-5/8"	6	11,6	361	239	204	64	99
30 HTW-LOW	4.188	41.882	110	155	2-3/8"	6-1/8"	11	29	430	303	272	85	131
	4.459	44.593	160	175	6-1/2"	6-7/8"	11,4	30	441	315	285	85	131

Cassettes – Low – Metric Size

2LOW				4 LOW				8 LOW				14 LOW				30 LOW			
TYPE	R	A	MAX TORQUE	TYPE	R	A	MAX TORQUE	TYPE	R	A	MAX TORQUE	TYPE	R	A	MAX TORQUE	TYPE	R	A	MAX TORQUE
2C-L19	27	16	2.328	4C-L34	36	16	5.858	8C-L41	46	22	10.941	14C-L50	60	31	18521	30C-L85	78	28	41.882
2C-L22	27	14	2.328	4C-L36	36	15	5.858	8C-L46	46	19	10.941	14C-L55	60	28	18521	30C-L90	78	27	41.882
2C-L27	27	11	2.328	4C-L41	39	15	5.858	8C-L50	46	17	10.941	14C-L60	60	25	18521	30C-L95	83	28	41.882
2C-L30	29	12	2.328	4C-L46	42	15	5.858	8C-L55	50	18	10.941	14C-L65	60	22	18521	30C-L100	83	25	41.882
2C-L32	29	11	2.328	4C-L50	44	15	5.858	8C-L60	52	17	10.941	14C-L70	60	19	18521	30C-L105	89	28	41.882
2C-L34	31	11	2.328	4C-L55	46	14	5.858	8C-L65	55	17	10.941	14C-L75	63	19	18521	30C-L110	89	25	41.882
2C-L36	31	10	2.328	4C-L60	50	15	5.858	8C-L70	58	17	10.941	14C-L80	66	19	18521	30C-L115	95	28	41.882
2C-L41	34	10	2.328	4C-L65	53	15	5.858	8C-L75	60	17	10.941	14C-L85	69	19	18521	30C-L117	95	27	41.882
2C-L46	37	10	2.328	4C-L70	56	15	6.474	8C-L80	63	16	10.941	14C-L90	72	20	18521	30C-L120	95	25	41.882
2C-L50	40	11	2.328	4C-L75	59	15	6.474	8C-L85	66	16	10.941	14C-L95	74	19	18521	30C-L125	101	29	41.882
2C-L55	43	11	2.328	4C-L80	61	15	6.474	8C-L90	69	7	11.774	14C-L100	77	19	18521	30C-L130	101	26	41.882
2C-L60	46	11	2.414					8C-L95	71	16	11.774	14C-L105	80	19	18521	30C-L135	104	26	41.882
								8C-L100	75	17		14C-L110	83	19	18521	30C-L140	110	29	41.882
								8C-L105	78	17		14C-L115	87	20	18521	30C-L145	110	26	41.882
												14C-L117	87	19	18521	30C-L150	116	29	41.882
																30C-L155	116	26	41.882
																30C-L160	128	36	44.593
																30C-L165	128	33	44.593
																30C-L170	128	30	44.593
																30C-L175	128	27	44.593

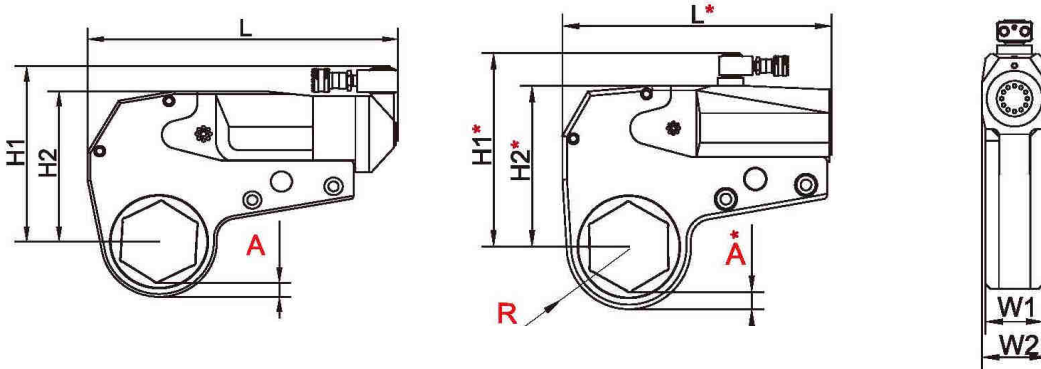
Cassettes – Low – Imperial Size

2LOW				4 LOW				8 LOW				14 LOW				30 LOW			
TYPE	R	A	MAX TORQUE	TYPE	R	A	MAX TORQUE	TYPE	R	A	MAX TORQUE	TYPE	R	A	MAX TORQUE	TYPE	R	A	MAX TORQUE
2C-L3/4"	27	16	2.328	4C-L1-3/8"	36	16	2.510	8C-L1-5/8"	46	22	10.941	14C-L2"	60	31	18.521	30C-L3-3/8"	78	28	41.882
2C-L7/8"	27	14	2.328	4C-L1-7/16"	36	15	2.510	8C-L-13/16"	46	19	10.941	14C-L2-3/16"	60	28	18.521	30C-L3-9/16"	78	27	41.882
2C-L1-1/16"	27	11	2.328	4C-L1-5/8"	39	15	5.021	8C-L2"	46	17	10.941	14C-L2-3/8"	60	25	18.521	30C-L3-3/4"	83	28	41.882
2C-L1-3/16"	29	12	2.328	4C-L1-13/16"	42	15	5.858	8C-L2-3/16"	50	18	10.941	14C-L2-9/16"	60	22	18.521	30C-L3-15/16	83	25	41.882
2C-L1-5/16"	29	11	2.328	4C-L2"	44	15	5.858	8C-L2-3/8"	52	17	10.941	14C-L2-3/4"	60	19	18.521	30C-L4-1/8"	89	28	41.882
2C-L1-3/8"	31	11	2.328	4C-L2-3/16"	46	14	5.858	8C-L2-9/16"	55	17	10.941	14C-L2-15/16"	63	19	18.521	30C-L4-5/16"	89	25	41.882
2C-L1-7/16"	31	10	2.328	4C-L2-3/8"	50	15	5.858	8C-L2-3/4"	58	17	10.941	14C-L3-1/8"	66	19	18.521	30C-L4-1/2"	95	28	41.882
2C-L1-5/8"	34	10	2.328	4C-L2-9/16"	53	15	5.858	8C-L2-15/16"	60	17	10.941	14C-L3-3/8"	69	19	18.521	30C-L4-5/8"	95	27	41.882
2C-L1-13/16"	37	10	2.328	4C-L2-3/4"	56	15	6.474	8C-L3-1/8"	63	16	10.941	14C-L3-9/16"	72	20	18.521	30C-L4-3/4"	95	25	41.882
2C-L2"	40	11	2.328	4C-L2-5/16"	59	15	6.474	8C-L3-3/8"	66	16	10.941	14C-L3-3/4"	74	19	18.521	30C-L4-15/16"	101	29	41.882
2C-L2-3/16"	43	11	2.328	4C-L3-1/8"	61	15	6.474	8C-L3-9/16"	69	17	10.941	14C-L3-15/16"	77	19	18.521	30C-L5-1/8"	101	26	41.882
2C-L2-3/8"	46	11	2.414					8C-L3-3/4"	71	16	10.941	14C-L4-1/8"	80	19	18.521	30C-L5-5/16"	104	26	41.882
								8C-L3-15/16"	75	17	11.774	14C-L4-5/16"	83	19	18.521	30C-L5-1/2"	110	29	41.882
								8C-L4-1/82	78	17	11.774	14C-L4-1/2"	87	20	18.521	30C-L5-11/16"	110	26	41.882
												14C-L4-5/8"	87	19	18.521	30C-L5-15/16"	116	29	41.882
																30C-L6-1/8"	116	26	41.882
																30C-L6-5/16"	128	36	44.593
																30C-L6-1/2"	128	33	44.593
																30C-L6-11/16"	128	30	44.593
																30C-L6-7/8"	128	27	44.593

Low clearance hydraulic torque wrench



- Available a wide range of accessories such as **twin hoses**, reductions, reaction arms, **hexagon cassette reducers**.
- Available a wide range of **electric and air pumps** for the different applications.



Series HTW-H

MODEL	TORQUE NM		HEX SIZE				SIZES mm					
	MIN	MAX	METRIC		IMPERIAL		L	H1	H2	W1	W2	A
27 HTW-H	262	2.625	19	46	¾"	1-13/16"	193	125	97	32	51	10 - 15
	306	3.068	50	60	1-7/8"	2-3/8"	193	136	108	32	51	10 - 11
54 HTW-H	537	5.372	27	65	1"	2-9/16"	250	158	125	41	64	11 - 19
	603	6.037	70	80	2-5/8"	3-1/8"	250	169	136	41	64	11,7 - 12
120 HTW-H	1.173	11.737	50	80	1-3/8"	3-1/8"	310	189	157	52	78	15 - 15,2
	1.434	14.349	85	105	3-1/16"	4-1/8"	310	214	182	52	78	16 - 22
210 HTW-H	2.121	21.216	70	100	2-9/16"	3-15/16"	378	223	191	64	97	8 - 21
	2.312	23.124	105	115	4"	4-5/8"	378	236	204	64	97	18 - 24
430 HTW-H	4.379	43.792	80	117	3	4-5/8"	405*	291*	242*	83	93	25 - 31*
	4.848	48.481	120	175	4-3/4"	6-7/8"	425*	309*	260*	83	93	25 - 34*

Cassettes - H – Metric Size

HTW-27H				HTW-54H				HTW-120H				HTW-210H				H430			
TYPE	R	A	MAX TORQUE NM	TYPE	R	A	MAX TORQUE NM	TYPE	R	A	MAX TORQUE NM	TYPE	R	A	MAX TORQUE NM	TYPE	R	A	MAX TORQUE NM
27C-H19	26	15	2.625	54C-H27	36	19	5.372	120C-H50	44	15	11.737	210C-H70	59	18	21.216	430C-H80	72	25	43.792
27C-H22	26	14	2.625	54C-H30	35	17	5.372	120C-H55	47	15	11.737	210C-H75	52	18	21.216	430C-H85	78	28	43.792
27C-H27	26	11	2.625	54C-H32	35	16	5.372	120C-H60	50	15	11.737	210C-H80	65	18	21.216	430C-H90	78	25	43.792
27C-H30	28	11	2.625	54C-H34	35	16	5.372	120C-H65	53	15	11.737	210C-H85	68	21	21.216	430C-H95	84	28	43.792
27C-H32	28	10	2.625	54C-H36	35	14	5.372	120C-H70	56	15	11.737	210C-H90	71	18	21.216	430C-H100	84	26	43.792
27C-H34	31	11	2.328	54C-H41	35	11	5.372	120C-H75	58	15	11.737	210C-H95	77	21	21.216	430C-H105	90	28	43.792
27C-H36	31	10	2.625	54C-H46	37	11	5.858	120C-H80	61	15	11.737	210C-H100	77	18	21.216	430C-H110	94	31	43.792
27C-H41	24	10	2.625	54C-H50	41	12	5.372	120C-H85	66	16	14.349	210C-H105	79	18	23.124	430C-H115	94	28	43.792
27C-H46	37	10	2.625	54C-H55	44	13	5.372	120C-H90	69	16	14.349	210C-H110	87	24	23.124	430C-H117	94	28	43.792
27C-H50	40	11	3.068	54C-H60	47	12	5.372	120C-H95	71	16	14.349	210C-H115	87	21	23.124	430C-H120	101	31	48.481
27C-H55	42	11	3.068	54C-H65	50	12	5.372	120C-H100	77	22	14.349				430C-H125	101	28	48.481	
27C-H60	50	10	3.068	54C-H70	52	12	6.037	120C-H105	77	19	14.349				430C-H130	101	25	48.481	
				54C-H75	56	12	6.037								430C-H135	105	26	48.481	
				54C-H80	58	12	6.037								430C-H140	110	29	48.481	
															430C-H145	110	26	48.481	
															430C-H150	115	29	48.481	
															430C-H155	115	26	48.481	
															430C-H160	121	29	48.481	
															430C-H165	121	26	48.481	
															430C-H170	128	30	48.481	
															430C-H175	128	27	48.481	

Cassettes - H – Imperial Size

HTW-27H				HTW-54H				HTW-120H			
TYPE	R	A	MAX TORQUE NM	TYPE	R	A	MAX TORQUE NM	TYPE	R	A	MAX TORQUE NM
27C-H3/4"	26,01	15,06	2.625	54C-H1"	34,29	19,69	5.372	120C-H1-7/8"	43,48	16,1	11.737
27C-H13/16"	26,01	14,15	2.625	54C-H1-1/16"	34,29	18,77	5.372	120C-H1-15/16"	43,48	15,19	11.737
27C-H7/8"	26,01	13,23	2.625	54C-H1-1/8"	34,29	17,86	5.372	120C-H2"	43,48	14,27	11.737
27C-H15/16"	26,01	12,32	2.625	54C-H1-3/16"	34,29	16,94	5.372	120C-H2-1/16"	46,23	16,1	11.737
27C-H1"	26,01	11,4	2.625	54C-H1-1/4"	34,29	16,03	5.372	120C-H2-1/8"	46,23	15,19	11.737
27C-H1-1/16"	26,01	10,49	2.625	54C-H1-5/16"	34,29	15,11	5.372	120C-H2-3/16"	46,23	14,27	11.737
27C-H1-1/8"	26,01	9,58	2.625	54C-H1-3/8"	34,29	14,2	5.372	120C-H2-1/4"	49,02	16,15	11.737
27C-H1-3/16"	28,04	10,69	2.625	54C-H1-7/16"	34,29	13,31	5.372	120C-H2-5/16"	49,02	15,24	11.737
27C-H1-1/4"	28,04	9,78	2.625	54C-H1-1/2"	34,29	12,4	5.372	120C-H2-3/8"	49,02	14,33	11.737
27C-H1-5/16"	30,63	11,46	2.625	54C-H1-9/16"	34,29	11,48	5.372	120C-H2-7/16"	51,82	16,21	11.737
27C-H1-3/8"	30,63	10,54	2.625	54C-H1-5/8"	34,29	10,57	5.372	120C-H2-1/2"	51,82	15,32	11.737
27C-H1-7/16"	30,63	9,63	2.625	54C-H1-11/16"	37,11	12,47	5.372	120C-H2-9/16"	51,82	14,4	11.737
27C-H1-1/2"	33,43	11,53	2.625	54C-H1-3/4"	37,11	11,56	5.372	120C-H2-5/8"	54,61	16,28	11.737
27C-H1-9/16"	33,43	10,62	2.625	54C-H1-13/16"	37,11	10,64	5.372	120C-H2-11/16"	54,61	15,37	11.737
27C-H1-5/8"	33,43	9,7	2.625	54C-H1-7/8"	40,77	13,39	5.372	120C-H2-3/4"	54,61	14,45	11.737
27C-H1-11/16"	36,2	11,56	2.625	54C-H1-15/16"	40,77	12,47	5.372	120C-H2-13/16"	57,66	16,59	11.737
27C-H1-3/4"	36,2	10,64	2.625	54C-H2"	40,77	11,56	5.372	120C-H2-7/8"	57,66	15,67	11.737
27C-H1-13/16"	36,2	9,73	2.625	54C-H2-1/16"	43,56	13,44	5.372	120C-H2-15/16"	57,66	14,76	11.737
27C-H1-7/8"	38,96	11,58	3.068	54C-H2-1/8"	43,56	12,52	5.372	120C-H3"	60,45	16,64	11.737
27C-H1-15/16"	38,96	10,67	3.068	54C-H2-3/16"	43,56	11,61	5.372	120C-H3-1/16"	60,45	15,72	11.737
27C-H2"	38,96	9,75	3.068	54C-H2-1/4"	46,36	13,49	5.372	120C-H3-1/8"	60,45	14,81	11.737
27C-H2-1/16"	41,76	11,63	3.068	54C-H2-5/16"	46,36	12,57	5.372	120C-H3-3/16"	64,69	18,14	14.349
27C-H2-1/8"	41,76	10,72	3.068	54C-H2-3/8"	46,36	11,66	5.372	120C-H3-1/4"	64,69	17,22	14.349
27C-H2-3/16"	41,76	9,8	3.068	54C-H2-7/16"	49,1	13,49	6.037	120C-H3-5/16"	64,69	16,31	14.349
27C-H2-1/4"	44,53	11,66	3.068	54C-H2-1/2"	49,1	12,6	6.037	120C-H3-3/8"	64,69	15,39	14.349
27C-H2-5/16"	44,53	10,74	3.068	54C-H2-9/16"	49,1	11,68	6.037	120C-H3-7/16"	67,06	16,84	14.349
27C-H2-3/8"	44,53	9,83	3.068	54C-H2-5/8"	51,82	13,49	6.037	120C-H3-1/2"	67,06	15,95	14.349
				54C-H2-11/16"	51,82	12,57	6.037	120C-H3-9/16"	67,06	15,04	14.349
				54C-H2-3/4"	51,82	11,66	6.037	120C-H3-5/8"	67,06	25,78	14.349
				54C-H2-13/16"	54,86	13,79	6.037	120C-H3-11/16"	67,06	24,87	14.349
				54C-H2-7/8"	54,86	12,88	6.037	120C-H3-3/4"	67,06	23,95	14.349
				54C-H2-15/16"	54,86	11,96	6.037	120C-H3-13/16"	78,71	23,04	14.349
				54C-H3"	57,66	13,84	6.037	120C-H3-7/8"	78,71	22,12	14.349
				54C-H3-1/16"	57,66	12,93	6.037	120C-H3-15/16"	78,71	21,21	14.349
				54C-H3-1/8"	57,66	12,01	6.037	120C-H4"	78,71	20,29	14.349
								120C-H4-1/16"	78,71	19,38	14.349
								120C-H4-1/8"	78,71	18,47	14.349
								120C-H4-3/16"	78,71	17,55	14.349
								120C-H4-1/4"	78,71	16,64	14.349
								120C-H4-5/16"	78,71	15,72	14.349
								120C-H4-3/8"	78,71	14,81	14.349
								120C-H4-7/16"	78,71	13,89	14.349
								120C-H4-1/2"	78,71	13	14.349

HTW-210H				H430			
TYPE	R	A	MAX TORQUE NM	TYPE	R	A	MAX TORQUE NM
210C-H2.5/8"	57,53	19,2	21.216	430C-H3.1/8"	70,49	24,84	43.792
210C-H2.11/16"	57,53	18,29	21.216	430C-H3.3/16"	76,28	29,72	43.792
210C-H2.3/4"	57,53	17,37	21.216	430C-H3.1/4"	76,28	28,8	43.792
210C-H2.13/16"	60,5	19,43	21.216	430C-H3.5/16"	76,28	27,89	43.792
210C-H2.7/8"	60,5	18,52	21.216	430C-H3.3/8"	76,28	26,97	43.792
210C-H2.15/16"	60,5	17,6	21.216	430C-H3.7/16"	76,28	26,06	43.792
210C-H3"	63,4	19,58	21.216	430C-H3.1/2"	76,28	25,17	43.792
210C-H3.1/16"	63,4	18,67	21.216	430C-H3.9/16"	76,28	30,2	43.792
210C-H3.1/8"	63,4	17,75	21.216	430C-H3.5/8"	82,22	29,29	43.792
210C-H3.3/16"	66,78	20,22	21.216	430C-H3.11/16"	82,22	28,37	43.792
210C-H3.1/4"	66,78	19,3	21.216	430C-H3.3/4"	82,22	27,46	43.792
210C-H3.5/16"	66,78	18,39	21.216	430C-H3.13/16"	82,22	26,54	43.792
210C-H3.3/8"	66,78	19,86	21.216	430C-H3.7/8"	82,22	25,63	43.792
210C-H3.7/16"	69,16	18,95	21.216	430C-H3.15/16"	82,22	24,71	43.792
210C-H3.1/2"	69,16	18,06	21.216	430C-H4"	87,91	29,49	43.792
210C-H3.9/16"	69,16	17,15	21.216	430C-H4.1/16"	87,91	28,58	43.792
210C-H3.5/8"	72,34	19,41	21.216	430C-H4.1/8"	87,91	27,66	43.792
210C-H3.11/16"	72,34	18,49	21.216	430C-H4.3/16"	87,91	26,75	43.792
210C-H3.3/4"	72,34	17,58	21.216	430C-H4.1/4"	87,91	25,83	43.792
210C-H3.13/16"	75,11	19,43	21.216	430C-H4.5/16"	87,91	24,92	43.792
210C-H3.7/8"	75,11	18,52	21.216	430C-H4.3/8"	93,68	29,77	43.792
210C-H3.15/16"	75,11	17,6	21.216	430C-H4.7/16"	93,68	28,85	43.792
210C-H4"	77,9	19,48	23.124	430C-H4.1/2"	93,68	27,97	43.792
210C-H4.1/16"	77,9	18,57	23.124	430C-H4.9/16"	93,68	27,05	43.792
210C-H4.1/8"	77,9	17,65	23.124	430C-H4.5/8"	93,68	26,14	43.792
210C-H4.3/16"	80,8	19,63	23.124	430C-H4.11/16"	99,8	31,34	48.481
210C-H4.1/4"	80,8	18,72	23.124	430C-H4.3/4"	99,8	30,43	48.481
210C-H4.5/16"	80,8	17,81	23.124	430C-H4.13/16"	99,8	29,51	48.481
210C-H4.3/8"	86,56	22,66	23.124	430C-H4.7/8"	99,8	28,6	48.481
210C-H4.7/16"	86,56	21,74	23.124	430C-H4.15/16"	99,8	27,69	48.481
210C-H4.1/2"	86,56	20,85	23.124	430C-H5"	99,8	26,77	48.481
210C-H4.9/16"	86,56	19,94	23.124	430C-H5.1/16"	99,8	25,86	48.481
210C-H4.5/8"	86,56	19,02	23.124	430C-H5.1/8"	99,8	24,94	48.481
				430C-H5.3/16"	99,8	27,74	48.481
				430C-H5.1/4"	99,8	26,82	48.481
				430C-H5.5/16"	99,8	25,91	48.481
				430C-H5.3/8"	99,8	24,99	48.481
				430C-H5.7/16"	99,8	29,64	48.481
				430C-H5.1/2"	99,8	28,75	48.481
				430C-H5.9/16"	99,8	27,84	48.481
				430C-H5.5/8"	99,8	26,92	48.481
				430C-H5.11/16"	99,8	26,01	48.481
				430C-H5.3/4"	99,8	25,1	48.481
				430C-H5.13/16"	99,8	29,72	48.481
				430C-H5.7/8"	99,8	28,8	48.481
				430C-H5.15/16"	99,8	27,9	48.481
				430C-H6"	99,8	26,97	48.481
				430C-H6-1/16"	99,8	26,06	48.481
				430C-H6-1/8"	99,8	25,15	48.481
				430C-H6.3/16"	99,8	29,79	48.481
				430C-H6.1/4"	99,8	28,88	48.481
				430C-H6.5/16"	99,8	27,97	48.481
				430C-H6.3/8"	99,8	27,05	48.481
				430C-H6.7/16"	99,8	26,14	48.481
				430C-H6.1/2"	99,8	25,25	48.481